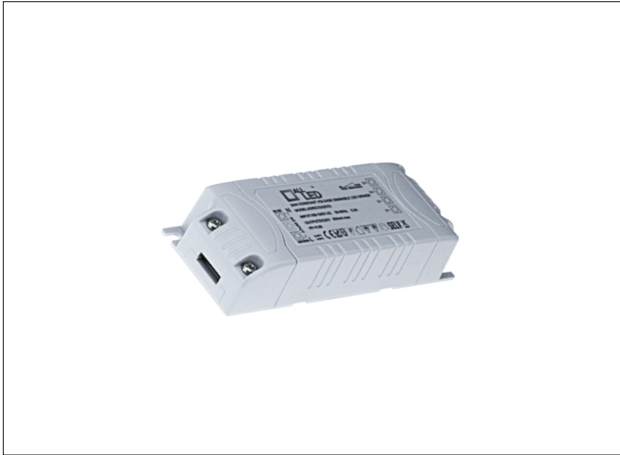


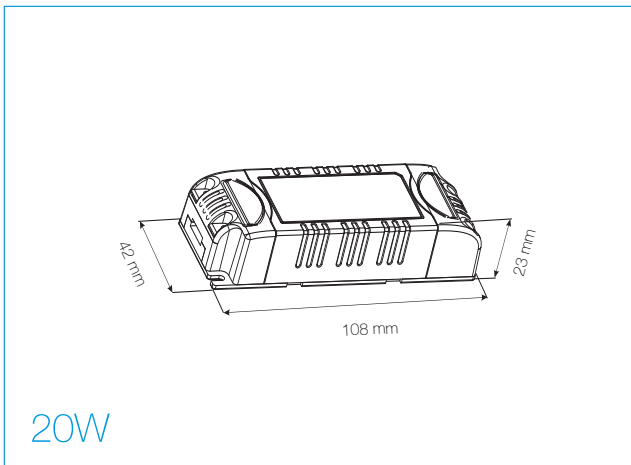
TECHNICAL DATASHEET

ADRCV2420TD
20W 24V DC CONSTANT VOLTAGE TRIAC DIMMABLE



PRODUCT FEATURES

- Constant Voltage LED Power Supply
- Moulded Polycarbonate Body
- Overload Protection
- Regulated Output
- Thermal Cutout
- SELV Rated
- Triac Dimmable



MAINS
DIMMABLE

		ErP Compliant	
	3 Year Guarantee	24V	

PRODUCT CODE	ADRCV2420TD
Operating Voltage	180-240 V AC
Output Voltage	24V DC
Operating Load	10-20W
Output Current (Max.)	0.83A
Temperature	-30~+45°C