

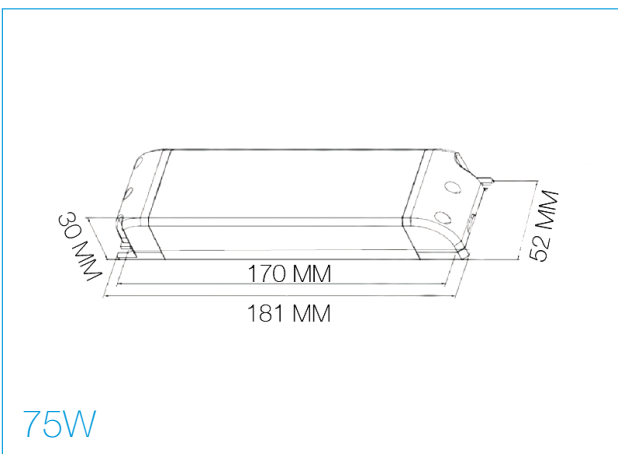
## TECHNICAL DATASHEET

ADRCV2475  
75W 24V DC CONSTANT VOLTAGE LED DRIVER



### PRODUCT FEATURES

- Constant Voltage LED Power Supply
- Moulded Polycarbonate Body
- Overload Protection
- Regulated Output
- Thermal Cutout
- SELV Rated



PRODUCT CODE	ADRCV2475
Operating Voltage	200-240 V AC
Output Voltage	24V DC
Operatin Load	0-75W
Output Current (Max.)	3.15A
Temperature	-15~+45°C