

## TECHNICAL DATASHEET

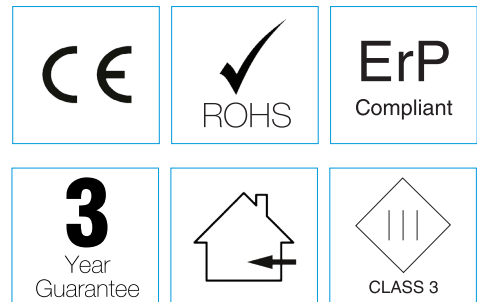
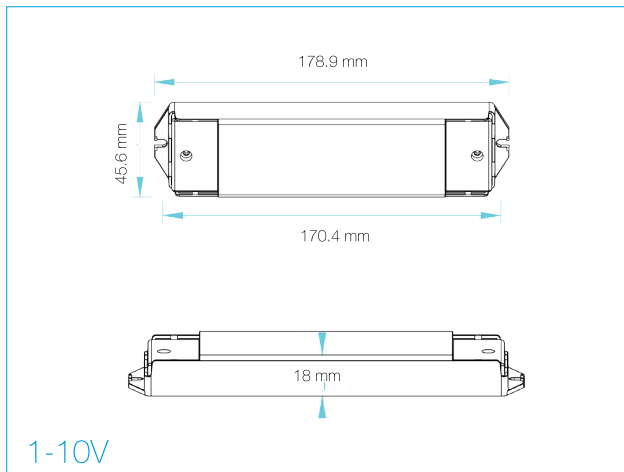
ASCDIM/1-10

1-10V Constant Voltage Dimming Unit



### PRODUCT FEATURES

- 0-100% Dimming Range
- Can Be Used with any 1-10V System
- Smooth Dimming
- High Performance



PRODUCT CODE	ASCDIM/1-10
Power Input Range	12-36V DC
Maximum Load (Output)	4 X 5A
Signal Type	1-10V
IP	IP20
Operating Temperature	-10~+50°C