

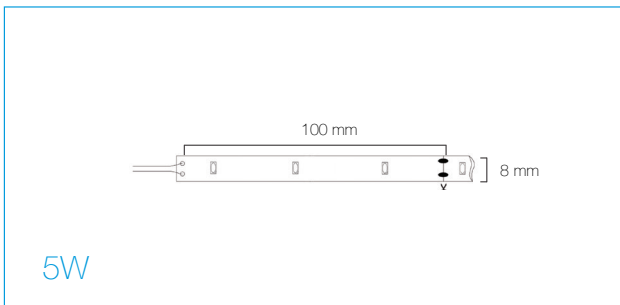
TECHNICAL DATASHEET

AST005
5W IP20 LED Strip



PRODUCT FEATURES

- Can Be Cut at 100mm Intervals
- Ideal for Effect Lighting
- Low Consumption Fluorescent Alternative
- Suitable for Providing Light in Area of Limited Space
- Large solder points
- Better clip connections
- Thicker PCB
- Improved thermal management
- Improved life time
- More efficient strip
- Slimline design



ErP
Compliant

2
Year
Guarantee

12V

PRODUCT RANGE	AST005/30	AST005/40
Power	5W/M	5W/M
Lumens	≤440 lm	≤480 lm
Beam Angle	120°	120°
CRI	>80	>80
IP	IP20	IP20
Lifetime (Hours to Im70)	30,000H to LM70	30,000H to LM70
Voltage	12V DC	12V DC
Temperature	-20°~40°C	-20°~40°C