



# Technical Data

## 20 Amp 16AX Architrave Switches

### Brief product description:

BG's Nexus range of plate switches have been designed to perform at 20A 16AX inductive loads.

The subtle design will blend with any décor - suitable for domestic or commercial installations.

### Features:

- White moulded round edge, sleek and slim with softly rounded edges
- 20 Amp, 16AX inductive rated
- Easy to install, supplied with fixing screws and installation instructions
- Captive, backed out terminal screws for fast installation
- Screw cover caps for a sleek appearance
- Anti-microbial certified - manufactured using high grade thermoset Urea which effectively inhibits the growth of infectious diseases, including MRSA, E-Coli, Salmonella and Klebsiella Pneumonia bacteria

### Product Images



847



848



849

### Technical Specifications

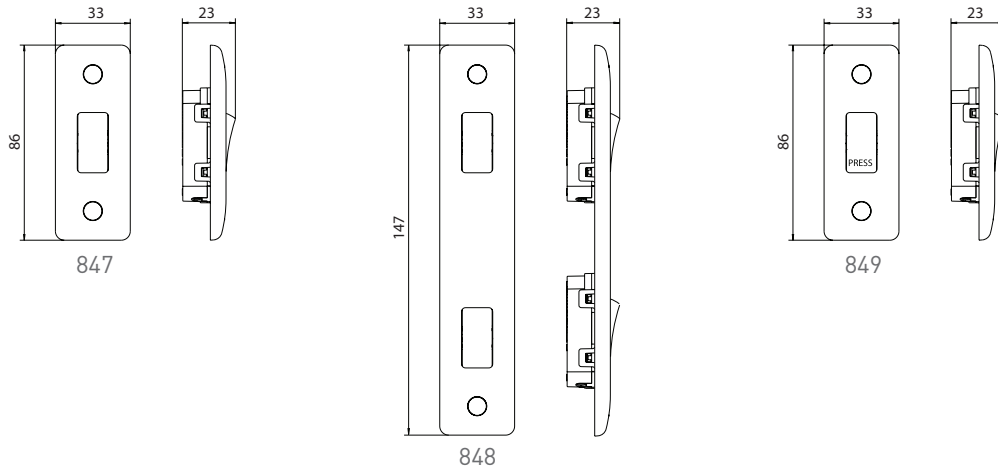
Standard(s)	BS EN 60669-1
Rating	20 Amp 250V AC (16AX - no derating for inductive or fluorescent loads)
Terminal Capacity	4 x 1mm <sup>2</sup> 4 x 1.5mm <sup>2</sup> 2 x 2.5mm <sup>2</sup> 1 x 4.0mm <sup>2</sup>
RoHS Directive	Yes
WEEE Directive	Yes
Mounting Box Depth (Min)	16mm
Fixing Centres	60.3mm vertical (847, 849 products) 120.6mm vertical (848 products)





# 20 Amp 16AX Architrave Switches

## Line Diagrams



## Packaging Information

Cat No.	Description	Packaging Type			Pack Quantity			Barcode		
		Product	Inner Box	Outer Box	Each	Inner Box	Outer Box	Individual	Inner Box	Outer Box
847	1G, 2W	Printed Bag	Printed Carton	Printed Carton	1	20	200	5050765018098	5050765154451	5050765154468
848	2G, 2W	Printed Bag	Printed Carton	Printed Carton	1	10	100	5050765018104	5050765106658	5050765106665
849	Retractive, 1G, 1W	Printed Bag	Printed Carton	Printed Carton	1	-	-	5050765018111	-	-

## Weights & Dimensions

Cat No.	Description	Dimensions (H x W x D) cm				Weight (kg)				CBM (m <sup>3</sup> )
		Unpacked Product	Packed Product	Inner Box	Outer Box	Unpacked Product	Packed Product	Inner Box	Outer Box	Outer Box
847	1G, 2W	8.6 x 3.3 x 2.3	16 x 11 x 3.4	11.8 x 24.4 x 16.4	25.6 x 60.3 x 33.8	0.078	0.082	0.93	9.81	0.05218
848	2G, 2W	14.7 x 3.3 x 2.3	20 x 11 x 3.4	8 x 11.6 x 15.6	17.6 x 24.7 x 42.5	0.07	0.1	0.7	8.21	0.01848
849	Retractive, 1W	8.6 x 3.3 x 2.3	16 x 11 x 3.4	11.8 x 24.4 x 16.4	25.6 x 60.3 x 33.8	0.078	0.082	0.93	9.81	0.05218