



Technical Data

Combination Plate

Brief product description:

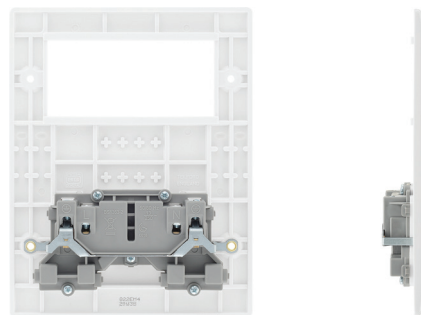
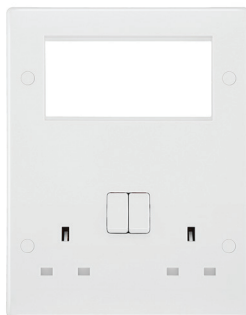
BG's Nexus range of combination plates provide flexibility to combine sockets with a range of interchangeable modules.

The subtle design will blend with any décor - suitable for domestic or commercial installations.

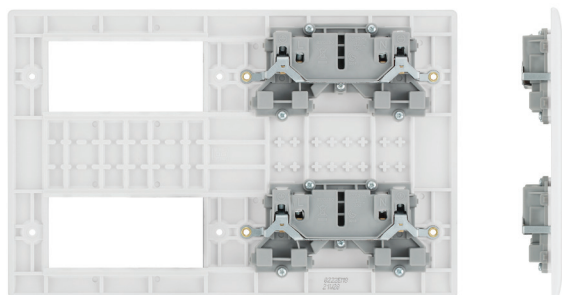
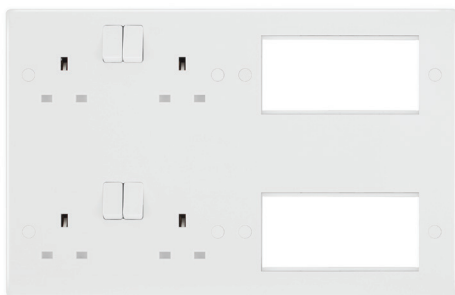
Features:

- White moulded round edge, sleek and slim with softly rounded edges
- Power socket for standard 3 pin UK plug
- Easy to install, supplied with fixing screws and installation instructions
- Angled in-line colour coded terminals with backed out screws for fast installation
- Screw cover caps for a sleek appearance
- Twin earth fitted as standard for high integrity circuits
- Anti-microbial certified - manufactured using high grade thermoset Urea which effectively inhibits the growth of infectious diseases, including MRSA, E-Coli, Salmonella and Klebsiella Pneumonia bacteria
- Modules of mains and extra low voltage rating must not be fitted to the same front plate aperture Ref. BS 7671:2008

Product Images



822EM4



8222EM8

Technical Specifications

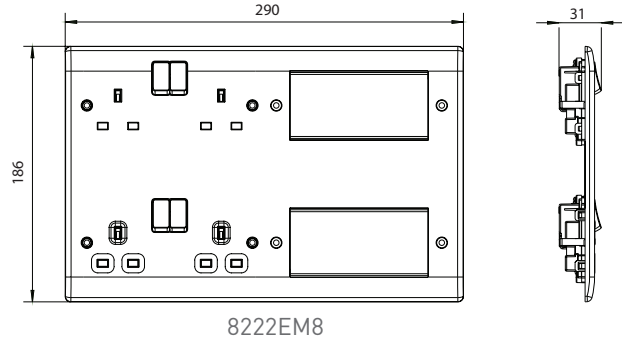
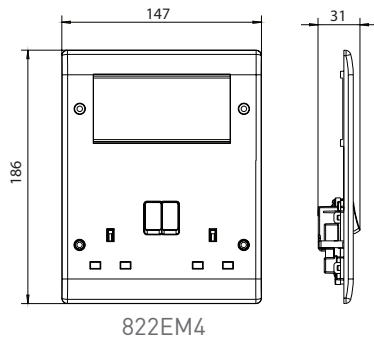
| | |
|--------------------------|--|
| Standard(s) | BS 1363-2:2016+A1:2018 |
| Rating | 13 Amp 250V AC |
| Terminal Capacity | 3 x 2.5mm ² 3 x 4mm ² 2 x 6mm ² |
| RoHS Directive | Yes |
| WEEE Directive | Yes |
| Mounting Box Depth (Min) | 47mm HGS07/C4 (8222EM8), 47mm HGS07/C2 (822EM4) |
| Fixing Centres | 120.6mm |





Combination Plate

Line Diagrams



Packaging Information

| Cat No. | Description | Packaging Type | | | Pack Quantity | | | Barcode | | |
|---------|---------------------------|----------------|-----------|----------------|---------------|-----------|-----------|---------------|-----------|---------------|
| | | Product | Inner Box | Outer Box | Each | Inner Box | Outer Box | Individual | Inner Box | Outer Box |
| 8222EM8 | 2 x 2G Skt + 2 x 4 Module | Printed Bag | - | Printed Carton | 1 | - | 20 | 5050765048316 | - | 5050765048378 |
| 822EM4 | 1 x 2G Skt + 1 x 4 Module | Printed Box | - | Printed Carton | 1 | - | 10 | 5050765106139 | - | 5050765106511 |

Weights & Dimensions

| Cat No. | Description | Dimensions (H x W x D) cm | | | | Weight (kg) | | | | CBM (m ³) |
|---------|---------------------------|---------------------------|-------------------|-----------|--------------------|------------------|----------------|-----------|-----------|-----------------------|
| | | Unpacked Product | Packed Product | Inner Box | Outer Box | Unpacked Product | Packed Product | Inner Box | Outer Box | Outer Box |
| 8222EM8 | 2 x 2G Skt + 2 x 4 Module | 18.6 x 29 x 3.1 | 18.8 x 28.2 x 3.4 | - | 21.6 x 31.6 x 39.6 | 0.470 | 0.482 | - | 9.98 | 0.02703 |
| 822EM4 | 1 x 2G Skt + 1 x 4 Module | 18.6 x 14.7 x 3.1 | 19.7 x 15.5 x 3.7 | - | 17.1 x 20.3 x 36.8 | 0.230 | 0.287 | - | 3.06 | 0.01277 |