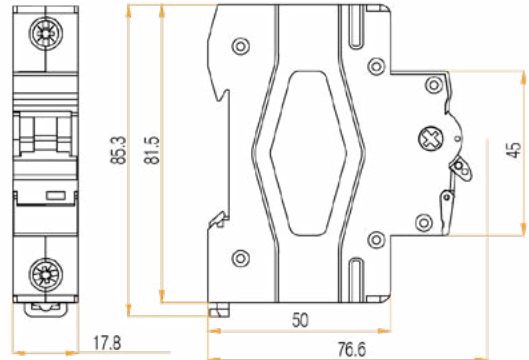


Product Code: CU1MCB16C

Luckinslive 425299726

Description: 1 Pole True 6kA C Curve 16A MCB

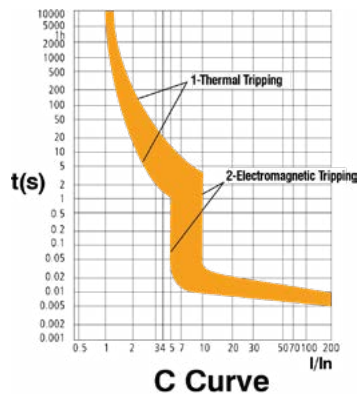


General Information

| | |
|---|--------------------------------|
| Dimensions (mm) | 17.8 (W) x 85.3 (H) x 76.6 (D) |
| Colour | Light Grey |
| Rated Operational Voltage (AC) (Ue) | 230/400 |
| Frequency (Hz) | 50/60 |
| Maximum Rated Current (A) (In) | 16 |
| Rated Breaking Capacity (True kA) (Ics) | 6 |
| Rated Insulation Voltage (V) (Ui) | 500 |
| Impulse Withstand Voltage (Uimp) | 4000 |
| Endurance Mechanical Operations | 20000 |
| Endurance Electrical Operations | 8000 |
| Trip Curve | C |
| Trip Type | Thermal/Magnetic Release |
| Thermal Operating limit | (1.13-1.45) x In |
| Magnetic Operating Characteristics | (5-10) x In |
| Device Terminals | Screwed Lug & Pin |
| MCB Terminal Capacity - Flexible (mm ²) | 16 |
| MCB Terminal Capacity - Rigid (mm ²) | 25 |
| MCB Terminal Torque (Nm) | 2 |
| Number Of Poles | 1 |
| Ingress Protection | IP20 |
| Operational Temperature (°C) | -5 to +40 |
| Warranty (Years) | 3 |

Standards BS EN 60898-1

Additional Information For cleaning / polishing of products, use only a soft, dry, clean cloth.



Scolmore House, Mariner, Lichfield Road Industrial Estate,
 Tamworth, Staffordshire, B79 7UL United Kingdom
T: +44 (0)1827 63454 | **F:** +44 (0)1827 63362
E: sales@scolmore.com | **W:** scolmore.com



Catalogue



Range



DoC

