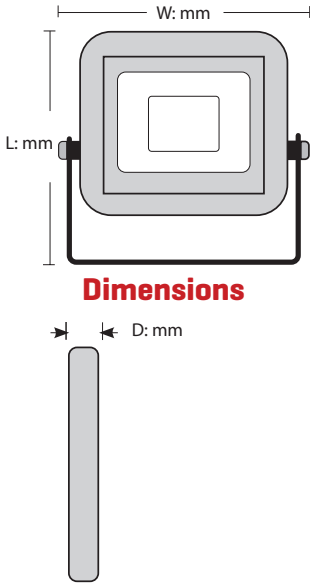




# 110V SLIMLINE FLOODLIGHTS



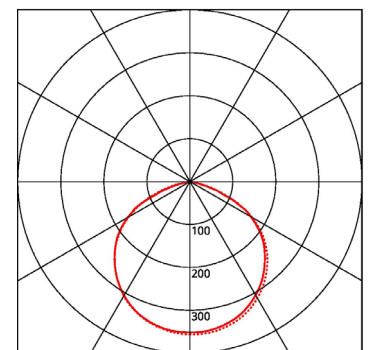
CODE	DESCRIPTION	LUMEN OUTPUT	LM/W	CRI	POWER FACTOR	DIMENSIONS (L X W X D MM)	WEIGHT (KG)
FLAC50Y	50W 110V LED Slimline Floodlight - Yellow	4,750lm	95	80	>0.9	205 x 165 x 33	0.68
FLAC100Y	100W 110V LED Slimline Floodlight - Yellow	9,500lm	95	80	>0.9	290 x 230 x 41	1.32
FLAC150Y	150W 110V LED Slimline Floodlight - Yellow	14,250lm	95	80	>0.9	330 x 270 x 47	1.72

**Additional Information**

LED Slimline Floodlights suitable for 110V Site lighting applications are available in 50W, 100W & 150W. Constructed from robust die-cast aluminium and fitted with surge protection as standard.

- Built in surge protection
- Lifetime 30,000hrs
- Material Die-Cast Aluminium Body
- 1.0m Cable included
- Bracket allows 360° adjustment.

**Photometric Light Distribution Curve**



LED

50-150 WATT

110-130V

6500K

IK07

IP65

2 YRS GUARANTEE